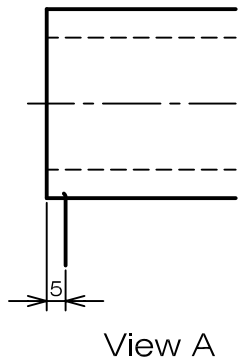
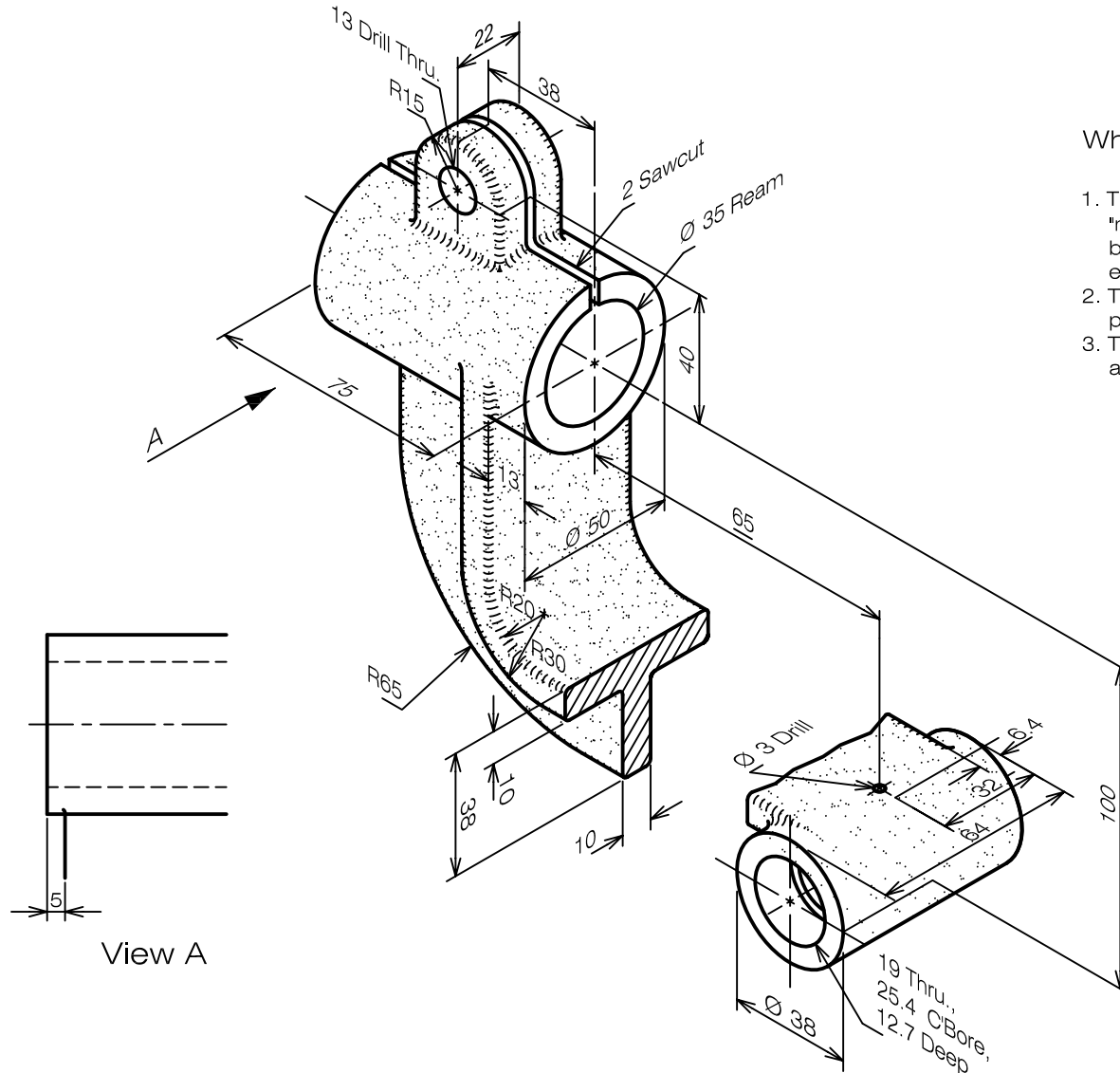


Draw front and top views of the given part. Make a removed section to show the shape of horizontal arm

(Problem is adapted from "Fundamentals of Engineering Drawing" by Luzadder)



What can we learn from the drawing ?

1. The underlined dimension number "65" is called "not to scale dimension". It means that the distance between two referred positions in a drawing does not equal to 65 mm. However, the actual length is 65 mm.
2. The word "Sawcut" means that the slit have to be produced by sawcut.
3. The word "ream" means this hole have to be finished to an exact size using a tool known as a "reamer".

NOTE :

All fillets and rounds are 3 mm unless otherwise specified.

Not to scale.